



# 1- and 2-Channel PicoGuard® AC Signal ESD Protector

## CM1214A

### Features

- Single channel ESD protection for an AC signal up to  $\pm 5V$  for 0.25W transmit power
- Connects two channels in series for signals up to  $\pm 10V$  (1W transmit power)
- $\pm 8kV$  ESD protection per IEC 61000-4-2 contact discharge
- Sub-1pF loading capacitance
- Minimal variation with voltage and temperature
- Each I/O pin can withstand over 1000 ESD strikes\*
- SOT23-3 and MSOP-8 packages
- RoHS-compliant, lead-free finishing

### Applications

- RF switch and amplifier protection
- RF modules and RF IC protection
- Wireless handsets and WLAN
- High-speed AC signals for Gbit ethernet, etc.

### Product Description

The CM1214A *PicoGuard*® ESD protector is used to protect bipolar signal lines against electrostatic discharge (ESD). The CM1214A allows operation in high-speed environments with signals levels up to  $\pm 5V$ .

The CM1214A comes in two versions:

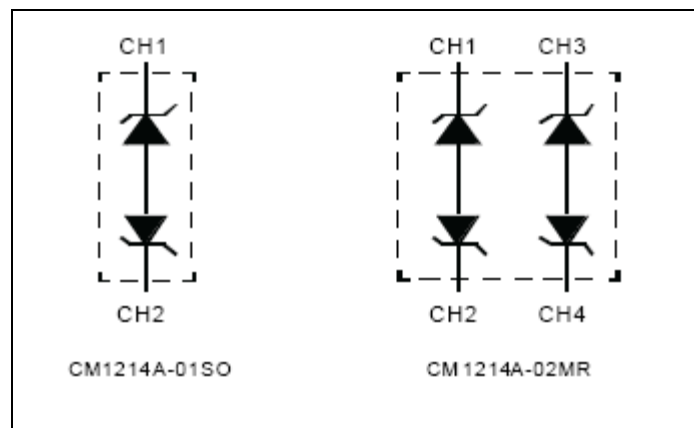
- The CM1214A-01SO is a single channel ESD protector and is available in a 3-lead SOT23-3 package.
- The CM1214A-02MR is a dual channel ESD protector and is available in an 8-lead MSOP-8 package.

The low sub-1pF loading capacitance makes the CM1214A-01SO ideal for protecting high-speed interfaces including RF switches and amplifiers.

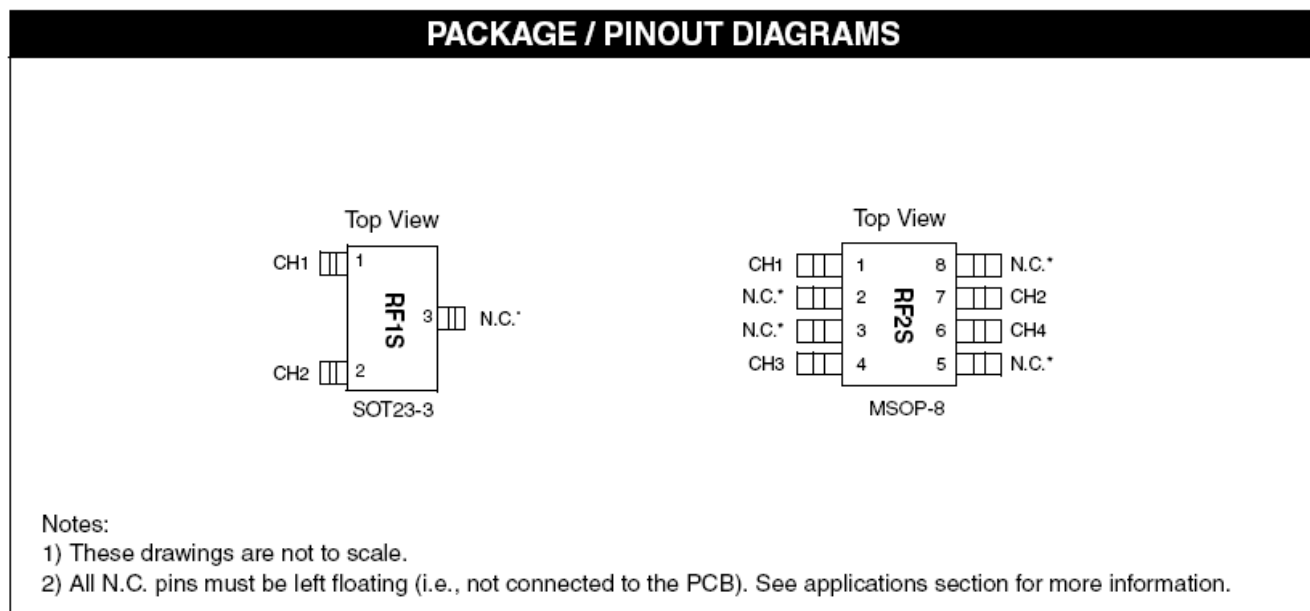
The CM1214A-02MR is ideal for dual high-speed signal pairs used in Gigabit Ethernet, ADSL, etc. The CM1214A-02MR can also be used for higher transmit voltage applications by connecting the two channels in series.

Both devices come in RoHS-compliant, lead-free finishing.

### Block Diagram



## Package/Pinout Diagrams



## Pin Descriptions

SOT23-3 PACKAGE PIN DESCRIPTIONS		
PIN	NAME	DESCRIPTION
1	CH1	ESD Channel
2	CH2	ESD Channel
3	N.C.	No connect

MSOP-8 PACKAGE PIN DESCRIPTIONS		
PIN	NAME	DESCRIPTION
1	CH1	ESD Channel
2	N.C.	No connect
3	N.C.	No connect
4	CH3	ESD Channel
5	N.C.	No connect
6	CH4	ESD Channel
7	CH2	ESD Channel
8	N.C.	No connect

# CM1214A

## Ordering Information

PART NUMBERING INFORMATION			
Pins	Package	Lead-free Finish	
		Ordering Part Number <sup>1</sup>	Part Marking
3	SOT23	CM1214A-01SO	RF1S
8	MSOP	CM1214A-02MR	RF2S

Note 1: Parts are shipped in Tape & Reel form unless otherwise specified.

## Specifications

ABSOLUTE MAXIMUM RATINGS		
PARAMETER	RATING	UNITS
DC Voltage between CH pins	7	V
Operating Temperature Range	-40 to +85	°C
Storage Temperature Range	-65 to +150	°C
Package Power Rating SOT23-3 Package (CM1214A-01SO) MSOP8 Package (CM1214A-02MR)	225 400	mW mW

**STANDARD OPERATING CONDITIONS**

PARAMETER	RATING	UNITS
Operating Temperature Range	-40 to +85	°C

**ELECTRICAL OPERATING CHARACTERISTICS** (SEE NOTE 1)

SYMBOL	PARAMETER	CONDITIONS	MIN	TYP	MAX	UNITS
$V_{ST}$	Standoff Voltage	$I = 10\mu A$		$\pm 7$		V
$V_{ESD}$	ESD Voltage Protection Peak discharge voltage between CH pins a) Contact discharge per IEC 61000-4-2 standard	Notes 2 and 3	$\pm 8$			kV
$I_{LEAK}$	Channel Leakage Current	$T_A = 25^\circ C$ , 5.5V between CH pins		$\pm 0.1$	$\pm 1.0$	$\mu A$
$R_{DYN}$	Dynamic Resistance	$T_A = 25^\circ C$ , $I_{PP} = 1A$ , $t_p = 8/20\mu S$ ; Any I/O pin to Ground; Note 4		1.36		$\Omega$
$V_{CL}$	Channel Clamp Voltage	$T_A = 25^\circ C$ , $I_{PP} = 1A$ , $t_p = 8/20\mu S$ ; Note 4		11.3		V
$C_{IN}$	Channel Input Capacitance Voltage between CH pins = 0V Voltage between CH pins = 5V	Measured at 1MHz between CH pins	0.4 0.35	0.6 0.54	0.9 0.8	pF pF

Note 1: All parameters specified at  $T_A = -40^\circ C$  to  $+85^\circ C$  unless otherwise noted.

Note 2: Standard IEC 61000-4-2 with  $C_{Discharge} = 150pF$ ,  $R_{Discharge} = 330\Omega$ .

Note 3: From CH pin with other CH pin grounded.

Note 4: No-connect pins are left open for all tests.

## Performance Information

### Typical Capacitance Characteristics vs. Voltage

CM1214A illustrates how the loading capacitance remains mainly flat across the voltage range from 0V to 5V, the voltage between CH pins.

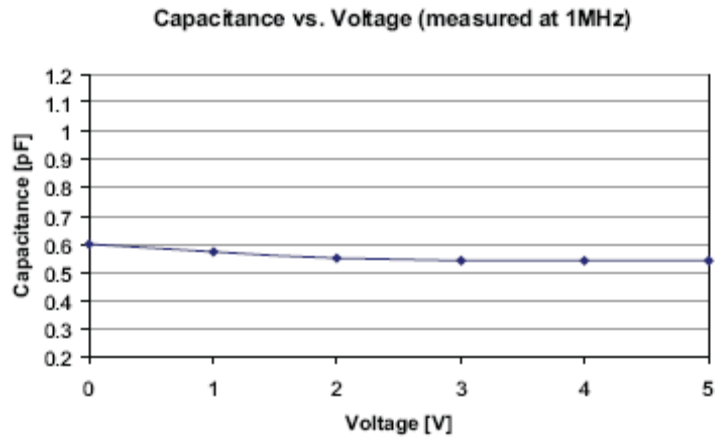


Figure 1. CM1214A Capacitance vs. Voltage

### Typical Voltage Current (VI) Characteristics (low current)

CM1214A shows how the CM1214A experiences a symmetrical I/V curve, without any snapback or trigger voltage. It gradually starts to turn on at about 6V and clamps about 7V.

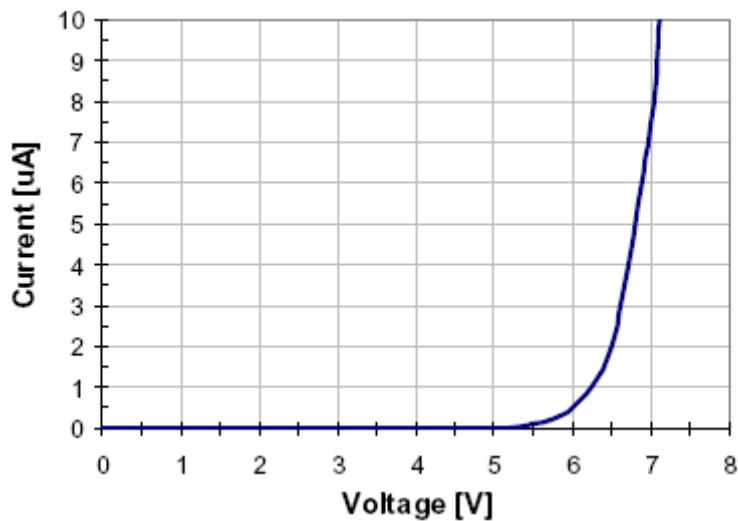
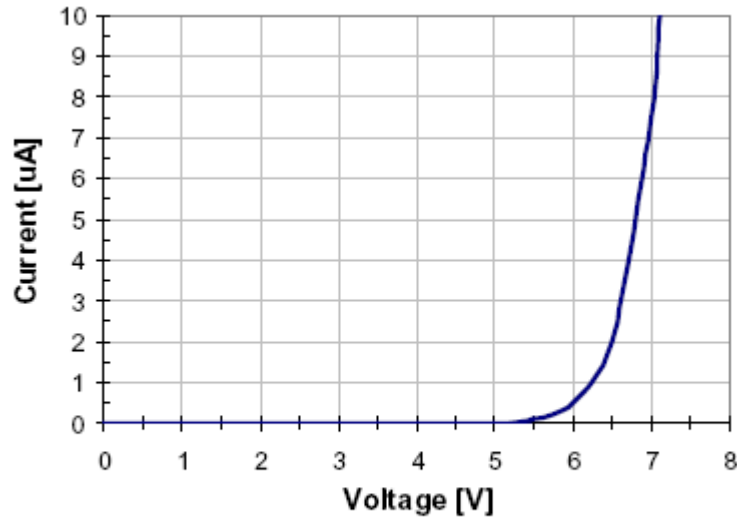


Figure 2. CM1214A VI Characteristics, Low Current

**Typical Voltage-Current (VI) Characteristics (high current, pulse condition)**

CM1214A shows how the CM1214A experiences a symmetrical I/V curve, without any snapback or trigger voltage. The curve shows only one polarity.

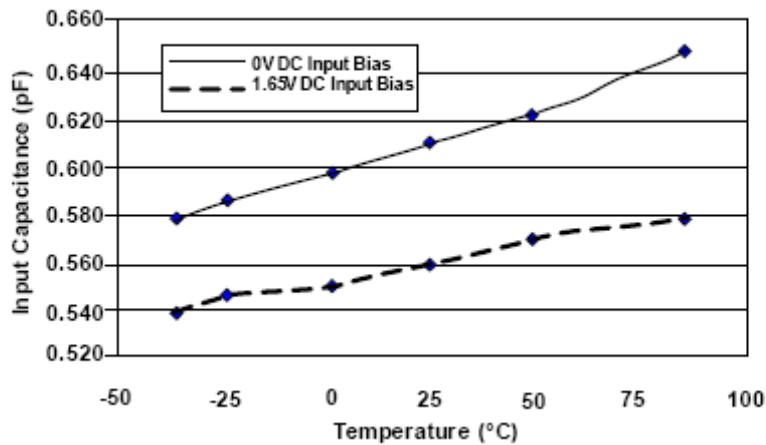


**Figure 3. CM1214A VI Characteristics, Low Current, Pulse (clamping) Condition**

Figure 3. CM1214A VI Characteristics, Low Current, Pulse (clamping) Condition

**Typical Capacitance Characteristics vs. Temperature**

CM1214A illustrates the loading capacitance for both 0VDC and 1.65VDC input across the -40 to 85°C temperature range.



**Figure 4. CM1214A Capacitance vs. Temperature**

## Performance Information (cont'd)

Typical Filter Performance (nominal conditions unless specified otherwise, 50 Ohm Environment)

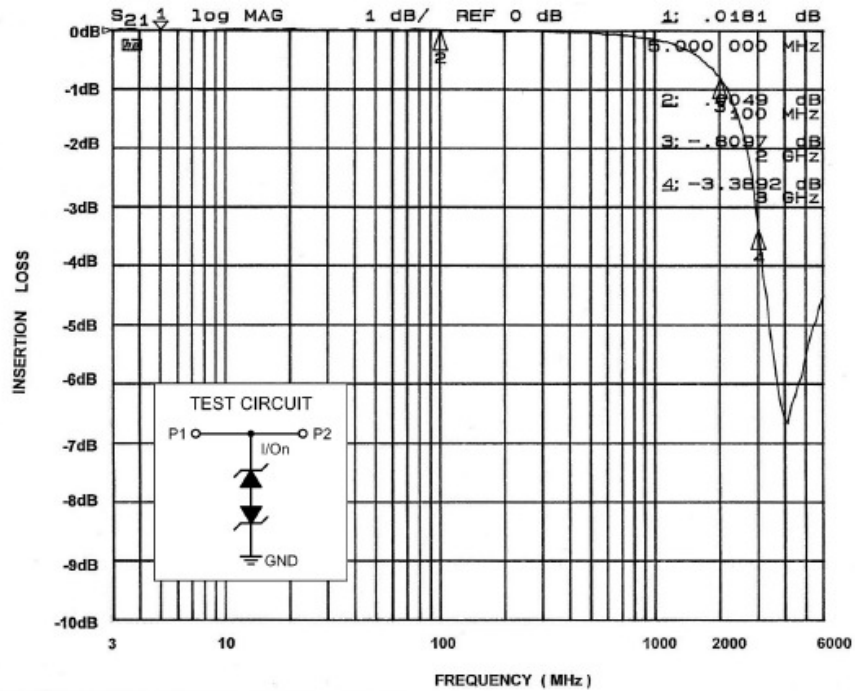


Figure 5. Insertion Loss vs. Frequency (0V DC Bias)

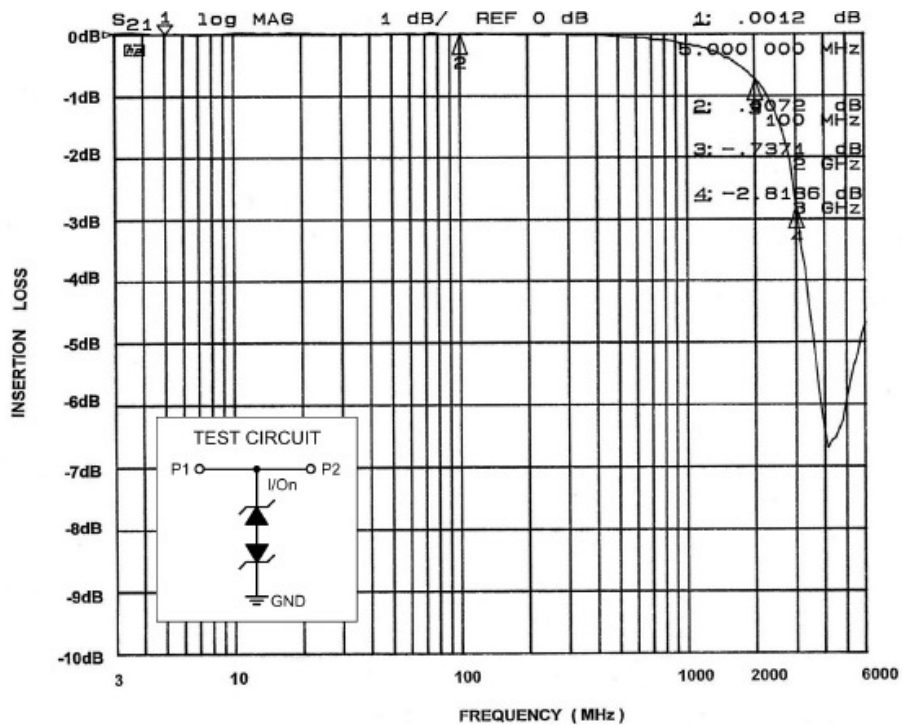


Figure 6. Insertion Loss vs. Frequency (2.5V DC Bias)

## Application Information

### CM1214A-01SO

The CM1214A-01SO protects a single bipolar signal line often found in RF circuits. One I/O pin (pin 1 for example) is connected to the signal line for protection, and the other I/O pin is tied to GND. It is important to have a solid ground connection to reduce the clamping voltage. *Pin 3 of the 3-lead SOT23 must be left open (and not connected on the PCB).*

### CM1214A-02MR

The CM1214A-02MR protects two bipolar lines, such as for Gbit Ethernet. The PCB traces underneath the package connect across to the corresponding pins (Pins 1, 4, 6 and 7). *Pins 2, 3, 5 and 8 of the MSOP-8 package must be left open (and not connected on the PCB).*

Any disturbance on the line above or below the standoff voltage is clamped.

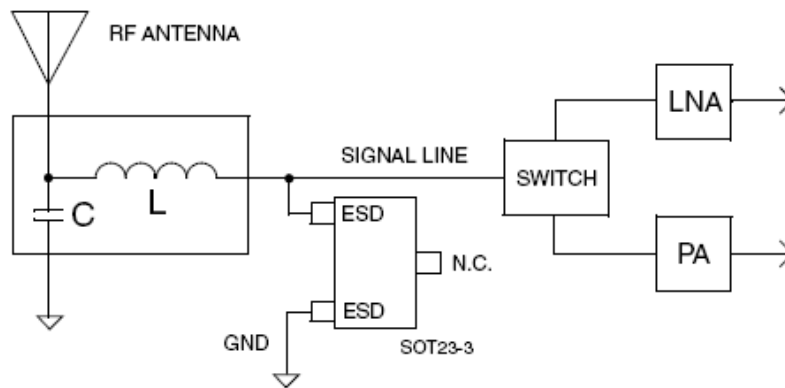


Figure 7. Typical Application - RF Switch and Amplifier Protection, CM1214A-01SO in 3-lead SOT23

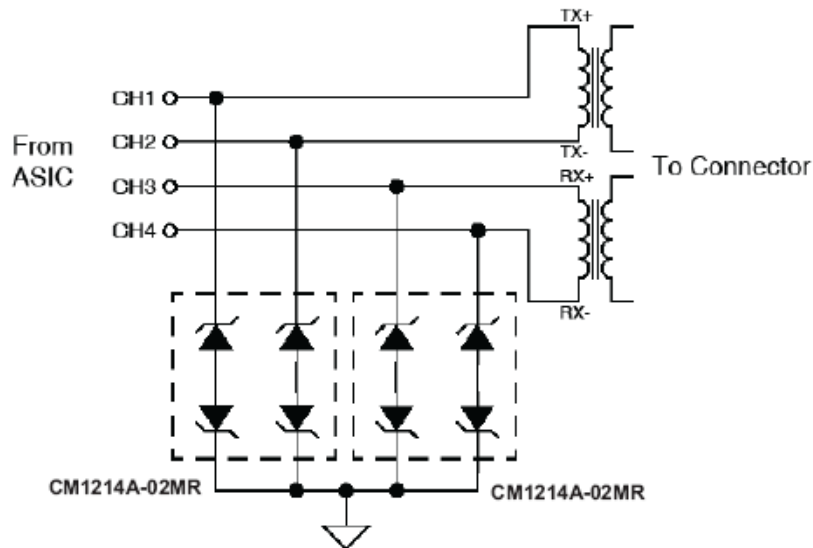
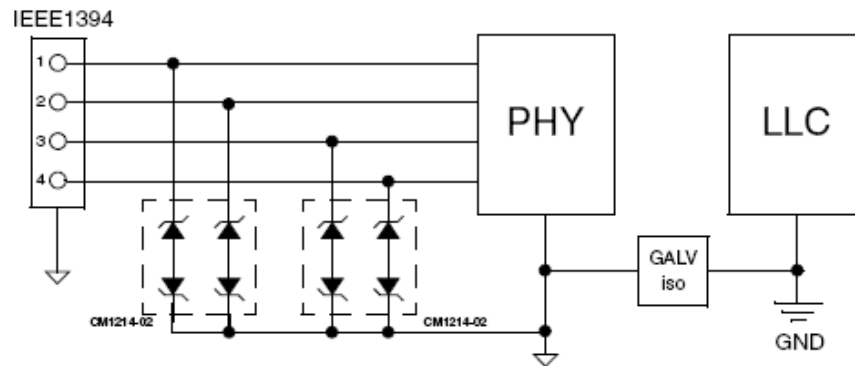


Figure 8. Typical Application - Ethernet Protection, CM1214A-02MR in 8-lead MSOP



Application Information (cont'd)



Keep the ESD devices on the PHY side of the galvanic isolation and inside the  $V_{CC}$  domain of the PHY controller.

Figure 9. Typical Application - IEEE1394 Protection, CM1214A-02MR in 8-lead MSOP

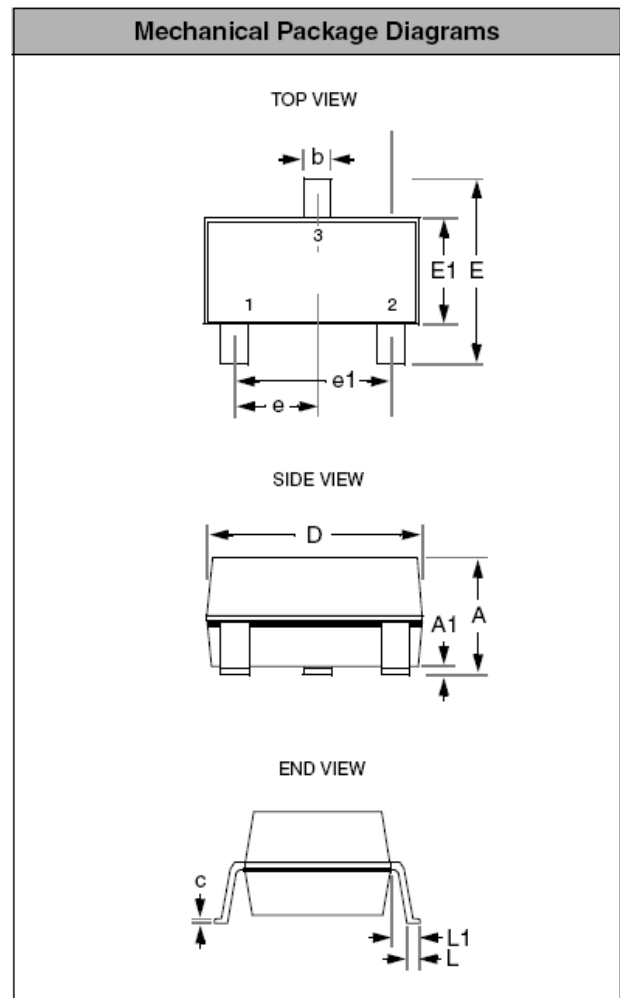
## Mechanical Details

The CM1214A is supplied in SOT23-3 and MSOP-8 packages. Dimensions are presented below.

### SOT23-3 Mechanical Specifications

The CM1214A-01SO is supplied in a 3-pin SOT23 package. Dimensions are presented below.

PACKAGE DIMENSIONS				
Package	SOT23-3 (JEDEC name is TO-236)			
Pins	3			
Dimensions	Millimeters			
A	Min			
		0.89	A	0.89
A1	0.01	A1	0.01	A1
b	0.30	b	0.30	b
c	0.08	c	0.08	c
D	2.80	D	2.80	D
E	2.10	E	2.10	E
E1	1.20	E1	1.20	E1
e	0.95 BSC	e	0.95 BSC	e
e1	1.90 BSC		e1	
L	0.40		L	
L1	0.54 REF	L1	0.54 REF	L1
# per tape and reel	3000 pieces			
Controlling dimensions:	Millimeters			

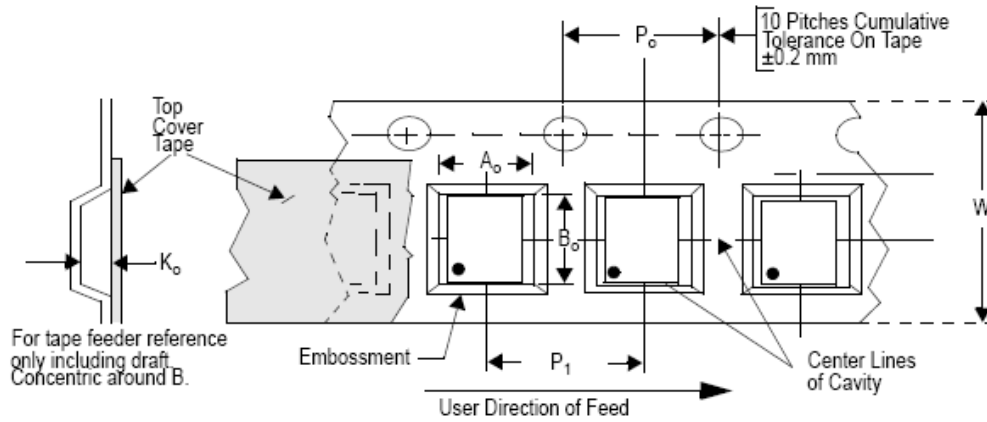


Package Dimensions for SOT23-3

# CM1214A

## Tape and Reel Specifications

PART NUMBER	PACKAGE SIZE (mm)	POCKET SIZE (mm) $B_0 \times A_0 \times K_0$	TAPE WIDTH W	REEL DIAMETER	QTY PER REEL	$P_0$	$P_1$
CM1214A-01SO	2.92 X 2.37 X 1.01	2.77 X 3.15 X 1.22	8mm	178mm (7")	3000	4mm	4mm

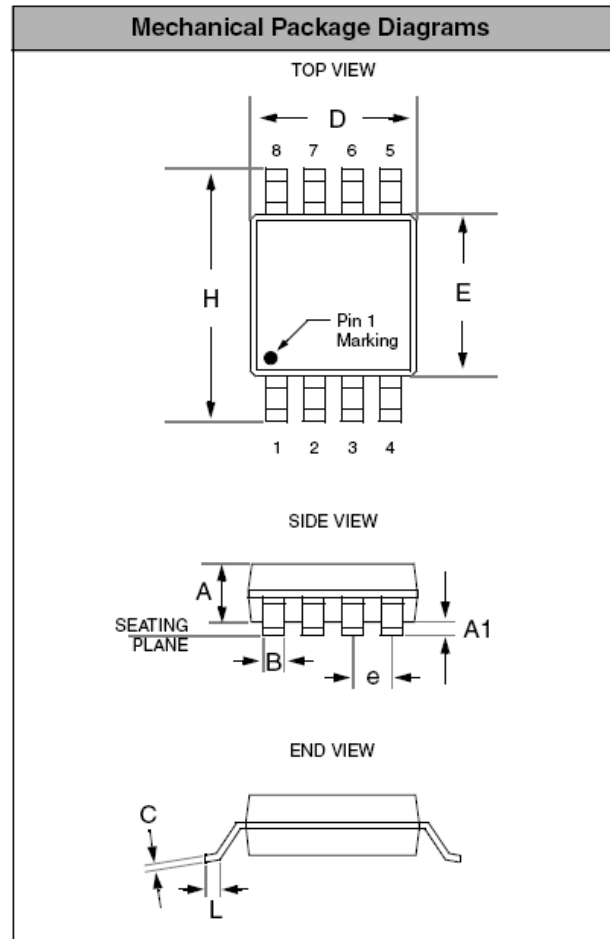


## Mechanical Details (Cont'd)

### MSOP-8 Mechanical Specifications, 8 pin

The CM1214A-02MR is supplied in an 8-pin MSOP package. Dimensions are presented below.

PACKAGE DIMENSIONS				
Package	SOT143			
Pins	4			
Dimensions	Millimeters		Inches	
	Min	Max	Min	Max
A	0.75	0.95	0.030	0.037
A1	0.05	0.15	0.002	0.006
B	0.28	0.38	0.011	0.015
C	0.13	0.23	0.005	0.009
D	2.90	3.10	0.114	0.122
E	2.90	3.10	0.114	0.122
e	0.65 BSC		0.026 BSC	
H	4.90 BSC		0.193 BSC	
L	0.40	0.70	0.016	0.028
# per tape and reel	4000 pieces			
Controlling dimension: millimeters				

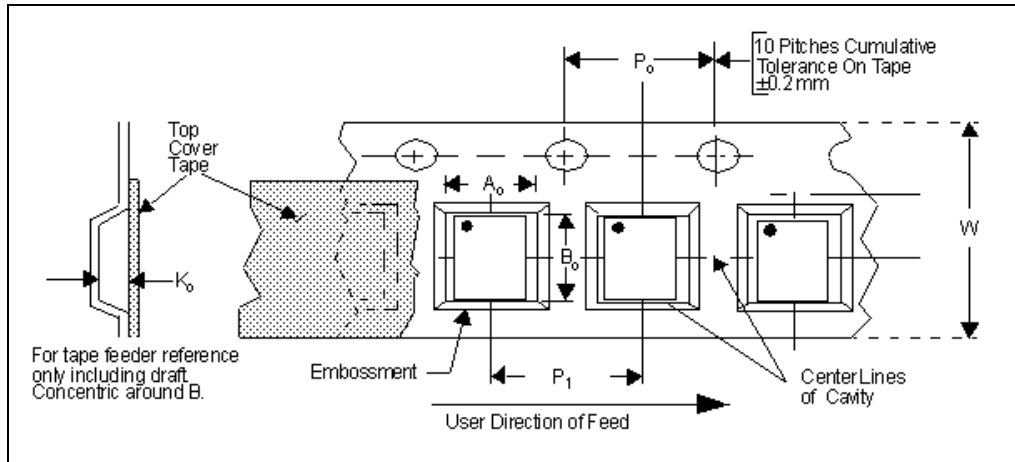



Package Dimensions for MSOP-8

# CM1214A

## Tape and Reel Specifications

PART NUMBER	PACKAGE SIZE (mm)	POCKET SIZE (mm) $B_0 \times A_0 \times K_0$	TAPE WIDTH W	REEL DIAMETER	QTY PER REEL	$P_0$	$P_1$
CM1214A-02SR	3.00 X 3.00 X 0.85	3.3 X 5.3 X 1.3	12mm	330mm (13")	4000	4mm	8mm



ON Semiconductor and  are registered trademarks of Semiconductor Components Industries, LLC (SCILLC). SCILLC reserves the right to make changes without further notice to any products herein. SCILLC makes no warranty, representation or guarantee regarding the suitability of its products for any particular purpose, nor does SCILLC assume any liability arising out of the application or use of any product or circuit, and specifically disclaims any and all liability, including without limitation special, consequential or incidental damages. "Typical" parameters which may be provided in SCILLC data sheets and/or specifications can and do vary in different applications and actual performance may vary over time. All operating parameters, including "Typicals" must be validated for each customer application by customer's technical experts. SCILLC does not convey any license under its patent rights nor the rights of others. SCILLC products are not designed, intended, or authorized for use as components in systems intended for surgical implant into the body, or other applications intended to support or sustain life, or for any other application in which the failure of the SCILLC product could create a situation where personal injury or death may occur. Should Buyer purchase or use SCILLC products for any such unintended or unauthorized application, Buyer shall indemnify and hold SCILLC and its officers, employees, subsidiaries, affiliates, and distributors harmless against all claims, costs, damages, and expenses, and reasonable attorney fees arising out of, directly or indirectly, any claim of personal injury or death associated with such unintended or unauthorized use, even if such claim alleges that SCILLC was negligent regarding the design or manufacture of the part. SCILLC is an Equal Opportunity/Affirmative Action Employer. This literature is subject to all applicable copyright laws and is not for resale in any manner.

**PUBLICATION ORDERING INFORMATION**

**LITERATURE FULFILLMENT:**

**Literature Distribution Center for ON Semiconductor**  
**P.O. Box 5163, Denver, Colorado 80217 USA**  
 Phone: **303-675-2175 or 800-344-3860 Toll Free USA/Canada**  
 Fax: **303-675-2176 or 800-344-3867 Toll Free USA/Canada**  
 Email: **orderlit@onsemi.com**

N. American Technical Support: **800-282-9855**  
**Toll Free USA/Canada**  
 Europe, Middle East and Africa Technical Support:  
**Phone: 421 33 790 2910**  
 Japan Customer Focus Center  
**Phone: 81-3-5773-3850**

**ON Semiconductor Website: [www.onsemi.com](http://www.onsemi.com)**  
**Order Literature: <http://www.onsemi.com/orderlit>**  
**For additional information, please contact your local Sales Representative**